





**PYRAMID SERIES  
PROXIMITY**

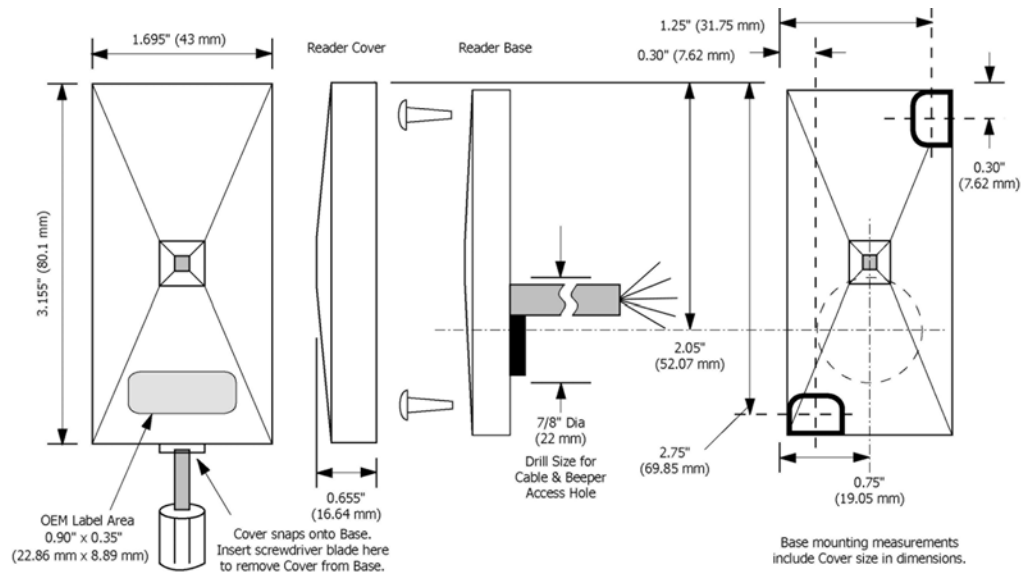
# P-300 Cascade Proximity Reader

Data Sheet

Pyramid Series Proximity™

<b>Read Range <sup>a</sup>:</b> PSC-1 - Up to 6 inches (152 mm) PSI-4 - Up to 4 inches (101 mm)		PSM-2 - Up to 4 inches (101 mm) PSK-3 - Up to 3 inches (76 mm)	
<b>Size:</b> 3.2 x 1.7 x 0.7 inches (80 x 43 x 17 mm)		<b>Weight:</b> 3 oz. (85 g)	
<b>Input Voltage <sup>b</sup>:</b> +5 to 14 VDC		<b>Current Draw <sup>c</sup>:</b> 5 mA minimum, 45 mA typical, 80 mA peak	
<b>LED Indicator:</b> Four-State Standard (Red, Green, Amber, and Off)		<b>Audio Tone:</b> Standard	
<b>Frequency:</b> 125 KHz excitation		<b>Operating Temperature:</b> -40° C to +65° C	
<b>Colors:</b> Black and Off-White		<b>Metal Mounting:</b> May be mounted directly to metal.	
<b>Formats:</b> Wiegand (26-bit Industry Standard and custom formats) and ABA Track II magnetic stripe (clock and data)			
<b>Credential Compatibility:</b> Standard - Pyramid Series Cards and Tags (PSC-1, PSI-4, PSM-2, and PSK-3) Optional <sup>d</sup> - HID (ProxCard II, ISOProx II, and ProxTag II) and Pyramid Series Cards and Tags Optional <sup>e</sup> - AWID (CS, GR, KT, GRMAG & PW) Pyramid Series Cards and Tags			
<b>Warranty:</b> The P-300 carries a limited lifetime warranty against defects in materials and workmanship.			
<b>Certifications:</b> CSA, UL, FCC, CE, C-Tick.			

- Read range is stated in a clean RF and electrical environment using PSC-1 cards presented parallel to the reader surface with the reader operating at 12 VDC. Additionally, read range may be affected by local installation conditions. Range will be less when mounted to metal.
- Use of a linear power supply is always recommended.
- Minimum current draw is obtained by operating the reader in the fleaPower mode at 5 VDC with the LED off. Peak current draw occurs when reading a card or tag.
- To designate optional HID compatibility, add the "H" suffix to the model number (e.g. P-300-H). For further information, see the section regarding HID compatibility in the Pyramid Series Reader Product Manual.
- To designate optional AWID compatibility, add the "A" suffix to the model number (e.g. P-300-A). Farpointe also offers Pyramid Series cards and tags in AWID compatible formats. For further information, see the Inter-Brand Technical Reference Document.



Farpointe Data reserves the right to change specifications without notice.

©2006 Farpointe Data, Inc. - All other trademarks are the property of their respective owners. Protected by U.S. and Worldwide Patents.



e-mail: sales@pyramidseries.com  
web: www.pyramidseries.com

Presented By