

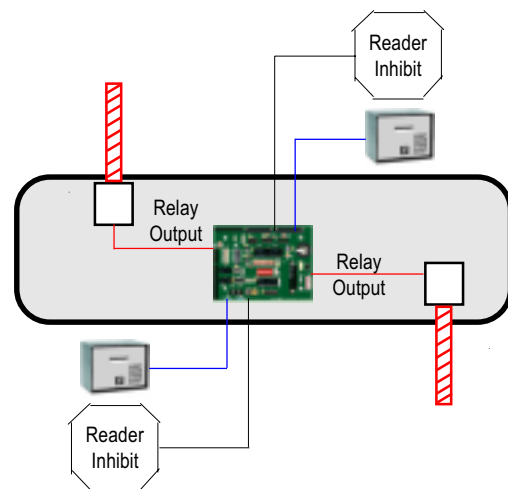
Off-Line ACCESS CONTROL

SUPPORTS ALL CARD TECHNOLOGIES, AND ALL CUSTOM FORMATS

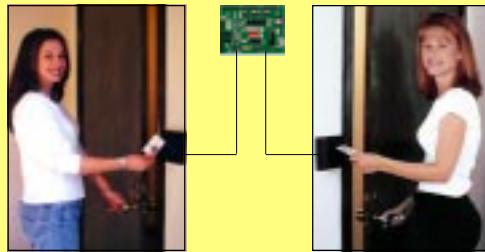
Most reader manufacturers offer only one card technology, but here's an Off-Line System that lets you choose the reader and the card format. It's the perfect companion to a card system with remote sites, or an isolated parking lot. It has an on-board programmable memory for 65,000 cardholders, so it doesn't require a Smart Cartridge. The O/L Module can be ordered for one or two readers, and option switches let you select anti-pass-back modes, and memory initialization defaults of All Valid, or All Void. This new Series replaces the previous O/L Series that required a Smart Cartridge.

FEATURES

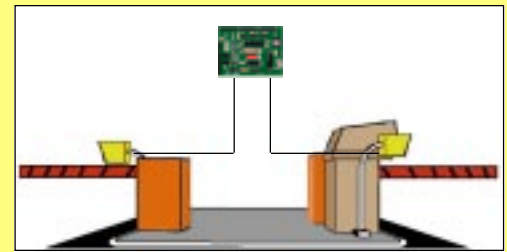
- USE READERS OF ANY TECHNOLOGY
- USE CARDS OF ANY ENCODING FORMAT
- 65,000 CARD PROGRAMMABLE MEMORY
- ONE OR TWO READERS PER MODULE
- IN-EXIT ANTI-PASS-BACK WITH TWO READERS
- TIMED APB WITH ONE OR TWO READERS
- VALET & VIP EXEMPTION
- CARD DECK PROGRAMMING
- ALL VOID OR VALID INITIALIZATION SWITCH



Single Door
Reader/Command Module



Dual Module For The Same Or Different Doors
Program Cards From Either Reader



A Single Module With Its Built-In Memory Has
The Same Card Capacity As A "PC" System

Toye Corporation

20916 Itasca Street • Chatsworth • CA • 91311 • Phone: (818) 882-4000
FAX: (818) 882-5325 • E-mail: toyecorp@aol.com • Website: <http://www.toyecorp.com>