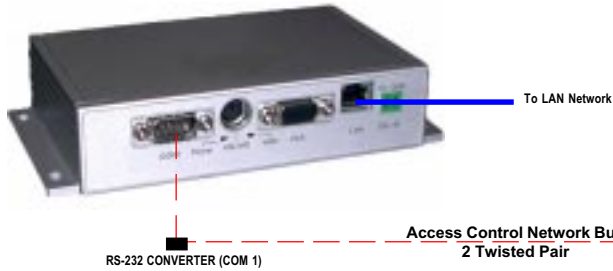


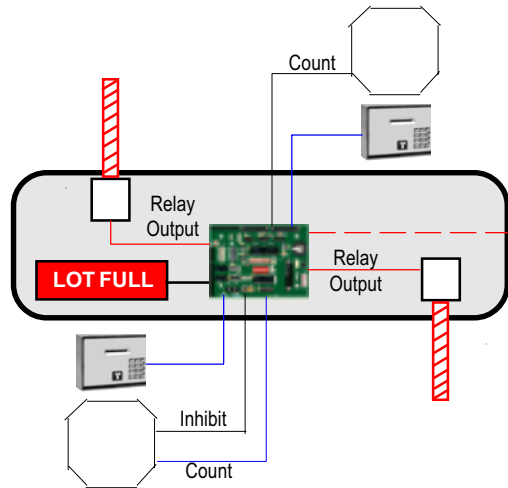
# Access Anywhere System™

Model 4200 Network Controller



Access Control Network Bus  
2 Twisted Pair

## PARKING ACCESS & SPACE COUNTING



## THE COMMAND MODULE IS THE HEART OF ENTRY POINT CONTROL



Dual or Single Reader  
Command Module  
(4120 or 4122)

The Command Module may be placed inside a reader housing or remotely such as above the door or in a gate housing. It communicates directly with the computer via a two twisted pair cable network, fiber optics, phone line, or modem. There are no field concentrator panels.

### WHAT THE COMMAND MODULE CAN CONTROL

#### Card Readers

The Command Module supports readers of virtually any of the popular technologies including Differential Optics, Bar Code, Mag Stripe, Proximity, Vehicle I.D., Touch and Radio Key.

#### Keypads

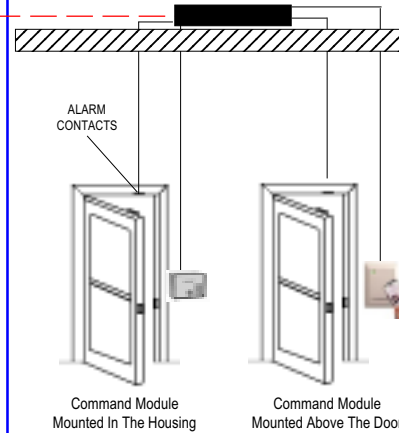
You can use a common code, or individual P.I.N. numbers, and you can select Card + P.I.N. or Card or P.I.N. You can control these options by time and day.

#### Alarm/Counter Inputs

There are monitor inputs for each door that may be used for Alarms and/or Space Counting, and inputs for Request To Exit that will unlock and shunt an alarm on egress.

#### Programmable Relay Outputs

Two Form C double pole relays have adjustable timers for Unlock and Alarm Shunting, and may be time scheduled for sustained activation by day, time, and holidays.

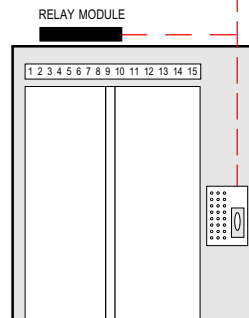


## ELEVATOR FLOOR CONTROL

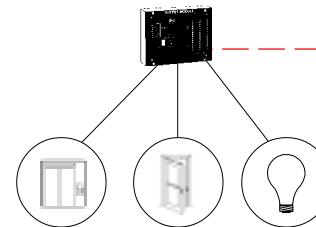
Our 16 Relay Output Module provides floor selectable elevator control. It may be mounted in the car or in the elevator control room.

Elevator Control software permits individual card programming of each card to specific floors. It also allows free public and secure access days and times specific to each individual tenant.

When cardholders are authorized to access more than one floor, buttons for those all authorized floors are enabled. With our elevator keypad floor selection option, reports will show which floor was actually accessed.

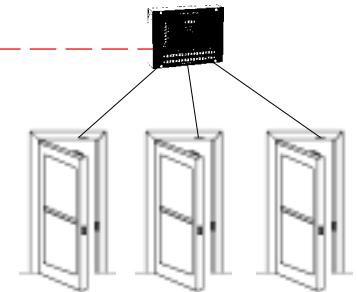


## 16 RELAY OUTPUT MODULE



Each of 16 relays may be programmed for pulsed or continuous operation. Individual relays may be programmed for time scheduled activation, or may be pulsed by card insertions, or in response to alarm inputs.

## 16 INPUT MODULE



Inputs for up to 16 alarm zones or space counts. Features programmable shunt and enable periods. System will support up to 100 Input Modules.